

Connector Accessories Rail Series

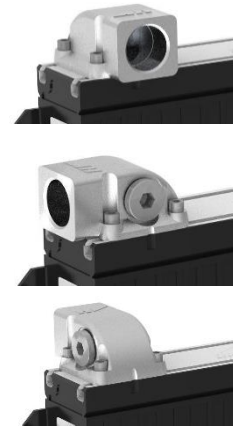
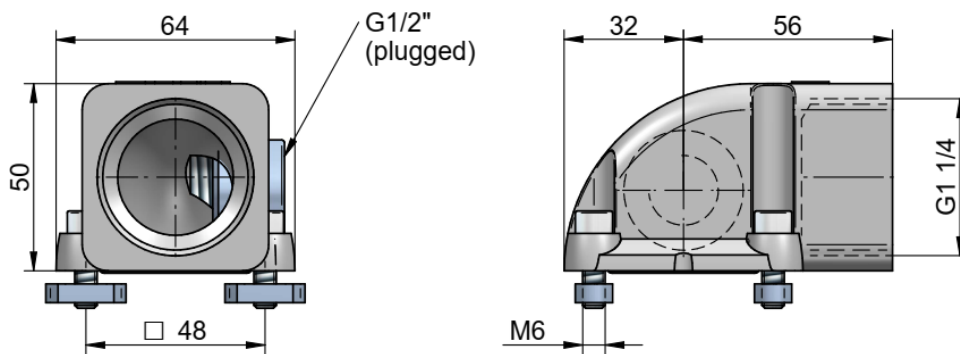
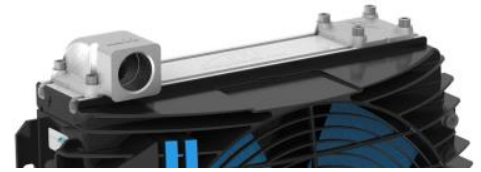
BSP 1 1/4"



Description

The asa rail system is the first worldwide flexible mounting and connection system for air blast heat exchangers. The flexibility comes from free choice of the port's direction. Each port on the radiator has 3 possibilities. This well designed radiator concept brings another flexibility innovation hit to the standard cooler market: The oil flow direction can be chosen between u-flow direction and diagonal oil flow on each TT rail cooler!

The radiator rail slots are not only for connecting the hydraulic ports, it is also possible to have the system attached with e.g.: bypass systems, mounting of the cooler to an aggregate, measurement devices, and much more. Please contact us to discover the huge potential of this rail system for your application.



Technical Data

order number	description	connector material	o-ring	weight
				[kg]
ILLZATT53G32K	connector TT rail G 1 1/4"	aluminium	NBR 70 shore , 35 x 3 mm	0,44

Content

connector	1x
o-ring	1x
slot nut	4x
plug screw G 1/2"	1x
screw M6x20	4x

Fits On Cooler Type

TT 05, 07, 11, 13, 16, 21, 25, 36

